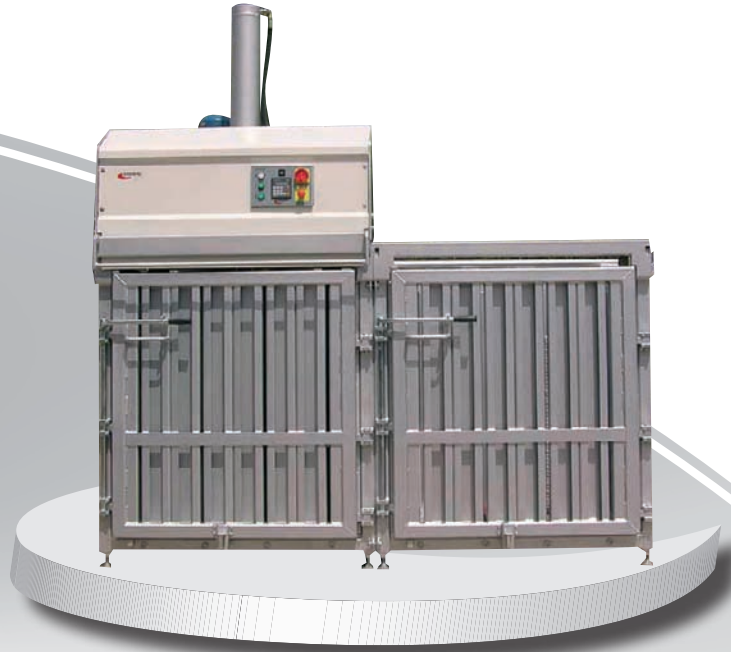


Is hydraulic bale press with pressing power 30 ton, used in supermarkets, junk centre, stocks, factories, and so on. It is suitable for middle and also for big size companies.

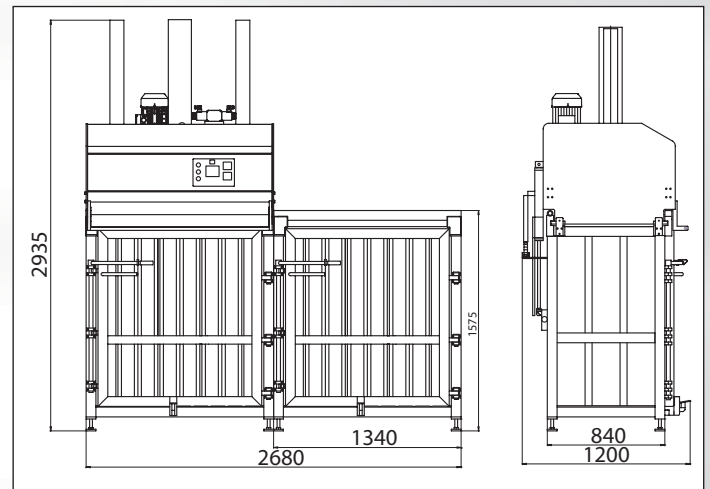
Lis **EKOPACK 300.2-E Standard** 30 ton offers:

- microprocessor control
- automatic bale removal with safety 2-hand operation
- variable high of the bale
- automatic switch-over to the mode „dumping“
- simple bounding of the pressed bale
- counting mechanism of bales
- automatic self control
- situation report of the bale press
- error reporting



Bale press **EKOPACK 300.2-E Profi** has in addition a drive of pressing head on the right an on the left, which presents large labour-saving for operating staff.

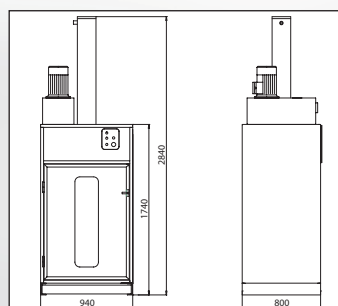
Technical Specifications EKOPACK 300.2-E	
Dimensions of machine (L x W x H)	2680 x 1200 x 2900mm
Max. pressing power	30 t + 5 %
Surface pressure	321 kPa
Dimensions of pressing chamber (L x W x H)	1200 x 800 x 1280 mm
Capability of pressing chamber	1,248 m ³
Dimensions of packet (L x W x H)	1200 x 800 x 1050 mm
Weight of packet	Max. 400 kg
Number of pressing chambers	2
Number of binding slots	4
Input power/voltage	3,5 kW/16A
Elec. protection	IP 54
Time of pressing cycle	36 s.
Drive	hydraulic
Weight of the machine	2 450 kg



BAREL PRESS 300

Hydraulic press BAREL PRESS 300 with press power 30 ton allows you to ecologically solve the problem with used barrels and also allows complete removal of residue from the barrels to the bottom reservoir. Hydraulic press is suitable for departments where it is necessary to dispose of empty metal barrels used for mineral oils, petrol, etc. The press presses thin and also thick metal from the barrels bindings. The press reduces the volume 20 times.

Technical Specifications Barelpress 300	
Max. pressing power	30 t + 5 %
Driving motor	3 kW / 3 x 400 V / 50 Hz
Input power/voltage	3,0kW/16A
Elec. protection	IP 54
Time of pressing cycle	36 s.
Weight of the machine	940 kg
Dimensions of machine (L x W x H)	2540 x 900 x 940mm
Max. dimensions of barrel	(200 l) ø700 x 900 mm
Max. pressing performance	40 barrels per hour



Picture Barelpress 300



Layout Barelpress 300